



UNIVERSAL COMMAND
SYSTEM

RADIO COMMANDS
SERIES



INSTALLATION MANUAL

TRA04



ENGLISH

EN

"IMPORTANT INSTALLATION SAFETY INSTRUCTIONS"

"WARNING: IMPROPER INSTALLATION MAY RESULT IN SERIOUS HARM. PLEASE FOLLOW ALL INSTALLATION INSTRUCTIONS"

"THIS MANUAL IS INTENDED ONLY FOR PROFESSIONAL INSTALLERS OR OTHER COMPETENT INDIVIDUALS"



Legend of symbols



This symbol shows parts which must be read with care.



This symbol means the parts which describe safety issues.



This symbol tells you what to tell the end-user.

2 Conditions of use

2.1 Intended use

The complete TRA04 system is for commanding 230 V AC mono-phase automated operators



Any installation and use other than that specified in this manual is forbidden.

2.2 Application settings

The overall power load of the connected motor must not exceed 500W.

3 Reference standards

Came Cancelli Automatici employs an ISO 9001 certified quality management system and an ISO 14001 environmental management system. Came only engineers and manufactures in Italy.

This product is compliant with: *see statement of compliance.*

4 Description

Engineered and built entirely by Came Cancelli Automatici S.p.A.

The TRA04 kit includes:

-1 **ZR24**: control panel;

-1 **AF43S**: snap-in radio card;

-1 **TOP432NA**: two-channel radio transmitter.

The two-channel radio transmitter can be used to command rolling shutter, industrial shutters and retracting awning operators.

The card is powered by 230 V AC on terminals L1 and L2, and should be input protected by a 5 A fuse, while the 24 V - low voltage accessories - are protected by a 1 A fuse.

Warning! The overall power of the 24 V accessories must not exceed 5 W.

All connections are protected by quick fuses, see table.

The card provides and controls the following functions:

- automatic closing after an opening command;

- maintained action command.

The available command modes are:

- opening/closing;

- open-stop-close-stop;

- total stop.

The photocells, after detecting an obstacle, may trigger:

- the reopening of the closing gate;

- a total stop.

Special trimmers regulate:

- the working time for automatic closing;

- the working time.

You can also connect:

- courtesy - lamp lighting the parking area for opening/closing cycle.

TECHNICAL DATA

line voltage	230 V
Maximum allowed power load	500 W
power draw when idle	15 mA
maximum power for 24 V accessories	5 W
circuit insulation class	□
container material	ABS
container protection rating	IP54
working temperature	-20 / +55°C

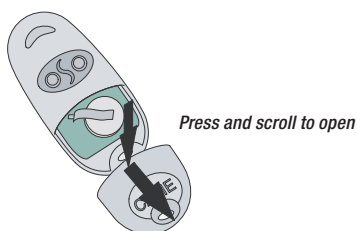
FUSE TABLE

to protect:	fuses for:
Electronic board (line)	A 5
Accessories	1 A

4.1 TOP-432NA

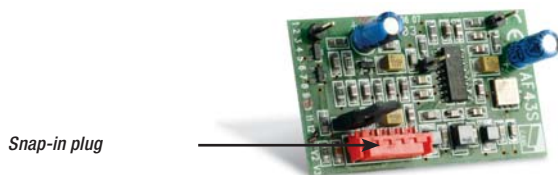
Multi-user two-channel transmitter

TECHNICAL DATA	
frequency	AM 433.92 MHz
batteries	two CR2016 - 3 V DC Lithium
power draw when transmitting	12 mA
effective to	50 ÷ 150 m
code combinations	4096
dimensions	32 x 68 x 12 mm
weight	16 G

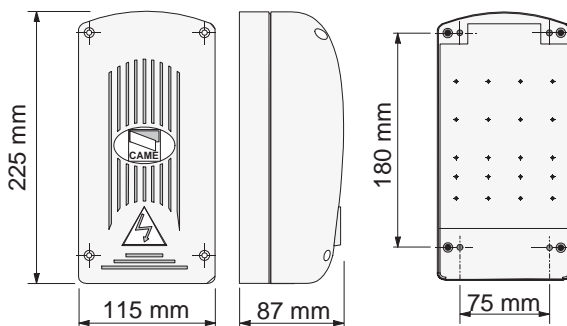


4.2 AF43S

433.92 MHz snap-in radio card

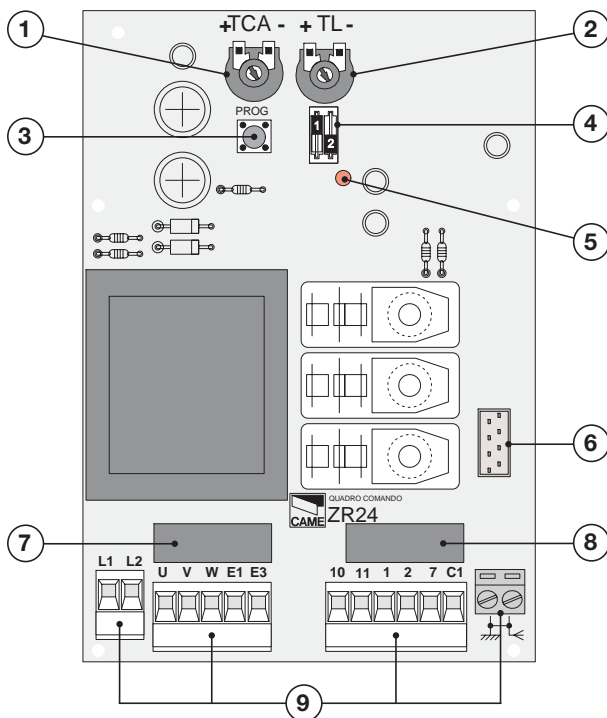


4.3 Dimensions, centre distances and anchoring holes



4.4 Main components

1. Automatic closing time adjuster trimmer
2. Working time adjuster trimmer
3. Button for memorising the radio code
4. 2-Dip switch selector function
5. LED signal light
6. Socket for AF43S radio-frequency card
7. Line fuse5A
8. 1 A accessories fuse
9. Connection terminals



Warning! Before acting on the device, cut off the main power supply.

5 Installation


5.1 Preliminary checks

Warning! Before beginning to install, the following is necessary:

- Make sure the power supply is disconnected.

Make sure that the point where the electrical panel is anchored is free from any impacts, and that the surface is solid and that proper tools and materials are used (i.e. screws, wall plugs, etc.).

Set up a suitable omnipolar cut-off device, with distances greater than 3 mm between contacts, with sectioned power source

-  Check that any connections inside the container (made for continuity purposes of the protective circuit) are fitted with extra insulation compared to other internal conductive parts.
- Set up proper conduits and electric cable raceways, making sure these are protected from any mechanical damage.

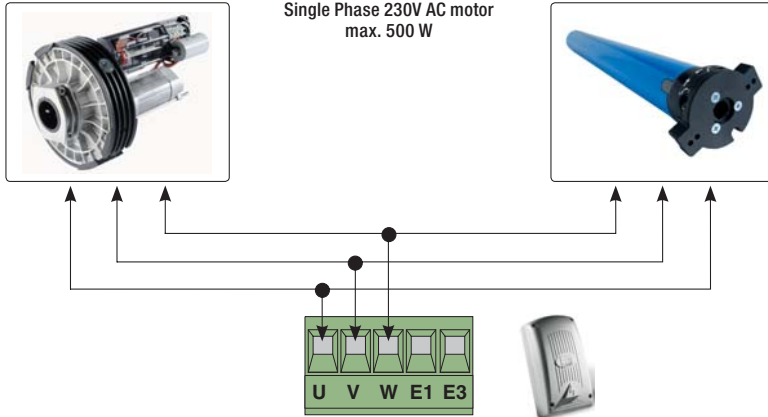
5.2 Tools and equipment

Make sure you have all the tools and materials needed to carry out the installation in total safety and in accordance with current regulations. Here are some examples.



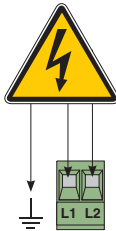
6 Electrical connections

Gearmotor



Power supply

Control panel is 230 V
AC powered



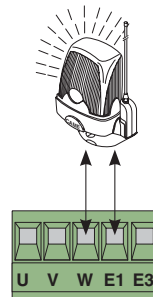
Terminals for powering the 24V
AC accessories.

Maximum overall allowed
power: 5 W

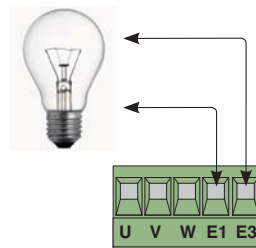


Lighting and warning devices

Movement Flasher (contact rated for: 230V AC - 25W Max.)
Flashes while gate opens and closes.



Courtesy light (Contact rated at: 230 V - 25 W Max.):
Lights up the manoeuvre zone, after an opening command it stays
lit for a fixed 5 minutes and 30 seconds.

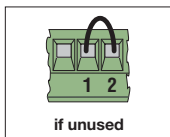


Command devices

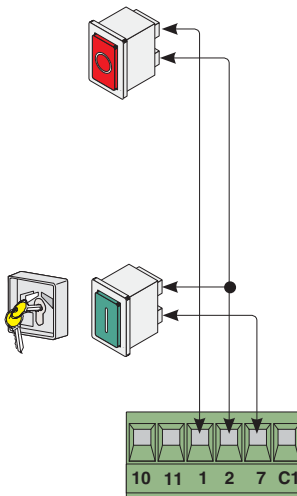
Stop button ((N.C.) contact)

Gate stop button with exclusion of automatic closing, to resume movement press command button or transmitter button.

If unused, short-circuit contact 1-2.



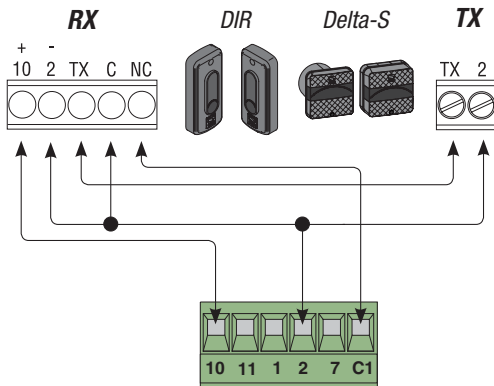
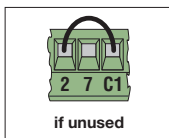
Radio and/or button contact for commanding (N.O. contact)
- Command button (see selecting features, DIP-switch 2).



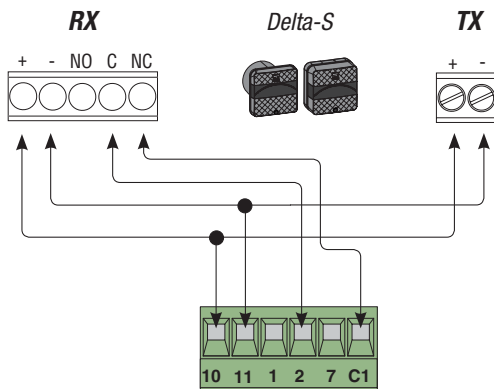
Safety devices

C1 = (N.C.) contact di riapertura durante la chiusura»
Input for safety devices like photocells, sensitive edges and other devices that comply with EN 12978 regulations. While the door is closing, opening the contact will invert movement until it is fully openend.

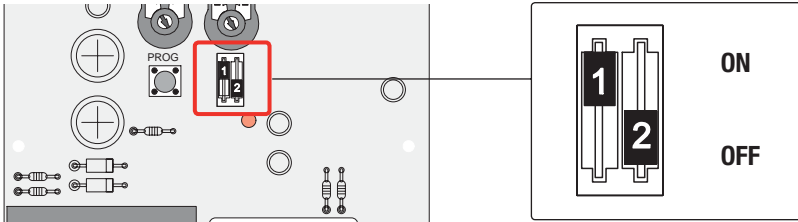
If unused, short-circuit contact 2-C1.



C1 = (N.C.) contact di riapertura durante la chiusura»



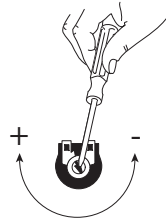
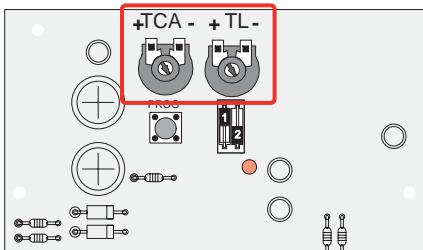
7 Selecting functions



- 1 ON** - Automatic closing **activated**;
- 1 OFF** - Automatic closing **deactivated** ;
- 2 ON** - “Open-stop-close-stop” with button (2-7) and radio command (AF card plugged in) **activated**;
- 2 OFF** - “Open-close” with button (2-7) and radio command (AF card plugged in) **activated**.

8 Settings

8.1 Trimmers



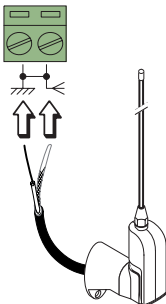
Trimmer T.C.A. = Adjustments **automatic closing activation time**: min. 1 secs. (-) / max. 120 secs. (+)

Trimmer T.L. = Adjusting **working time** : min. 15 secs. (-) / max. 50 secs. (+)

(Note: adjusting the working time to the minimum enables the maintained-action command function)

9 Activating the radio command

Antenna

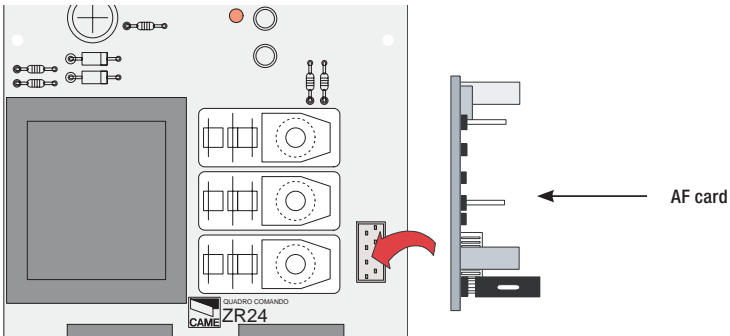


Connect RG58 antenna cable to the apposite terminals.

Radio frequency card

Plug in the radio-frequency card onto the electronic board AFTER CUTTING OFF THE MAIN POWER SUPPLY (or disconnecting the emergency batteries).

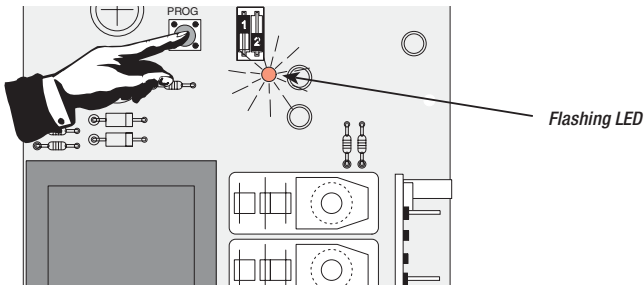
N.B.: The electronic card recognises the radio-frequency card only when it is powered up.



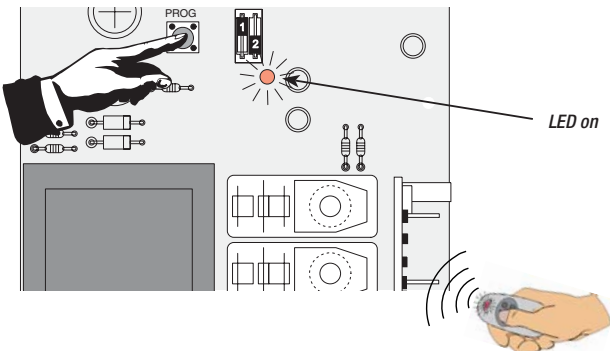
Memorisation

Memorise the code onto the card, as follows:

- 1) Keep pressed the "PROG" button on the base board (the LED light flashes).



- 2) The transmitter button sends the code, and the LED will stay on to signal that memorisation was succesful.



N.B.: if you later wish to change code, repeat the described sequence.

10 Dismantling and disposal



On its premises, CAME Cancelli Automatici S.p.A. implements a certified Environmental Management System in compliance with the UNI EN ISO 14001 standard to ensure environmental protection. Please help us to safeguard the environment. At CAME we believe this to be one of the fundamentals of our market operations and development strategies. Just follow these short disposal instructions:



DISPOSING OF THE PACKAGING

The components of the packaging (i.e. cardboard, plastic, etc.) are solid urban waste and may be disposed of without much trouble, simply by separating them for recycling.

Before proceeding it is always a good idea to check your local legislation on the matter.

DO NOT DISPOSE OF IN NATURE!



PRODUCT DISPOSAL

Our products are made up of various materials. Most of these (aluminium, plastic, iron, electric cables) are solid urban waste. These can be disposed of at local solid waste management dumps or recycling plants.

Other components (i.e. electronic cards, remote control batteries, etc.) may contain hazardous substances.

These must therefore be handed over to the specially authorised disposal firms.

Before proceeding it is always a good idea to check your local legislation on the matter.

DO NOT DISPOSE OF IN NATURE!

11 Statement



MANUFACTURER'S STATEMENT

Pursuant to attachment II A of the Directive 1995/5/CE



CAME

CAME Cancelli Automatici S.p.A.
via Martri della Libertà, 15
31030 Dosson di Casier - Treviso - ITALY
tel (+39) 0422 4940 - fax (+39) 0422 4941
internet: www.came.it - e-mail: info@came.it

Declares under law that the following garage door and gate automation products called:

TRA04

...comply with the essential requirements and pertinent provisions, established by the following Directives and also comply with the applicable parts of the reference Regulation standards listed below.

---DIRECTIVES---

1989/5/CE

2006/95/CE

2004/108/CE

R&TE DIRECTIVE

LOW VOLTAGE DIRECTIVE

ELECTROMAGNETIC COMPATIBILITY DIRECTIVE

ETSI 300 220-1

ETSI 300 220-3

ETSI 301 489-1

ETSI 301 489-3

EN 60335-1

EN 60950-1

MANAGING DIRECTOR

Mr Gianni Michielan

Reference code to request an original copy: **DDC RA EN Z002**



English - Manual code: **119RT58** ver. **1.0** 11/2011 © CAME Cancelli Automatici S.p.A. to notify said changes.
 The data and information in this manual may be changed at any time and without obligation on the part of CAME Cancelli Automatici S.p.A.

<p>CAME France S.a. 7, Rue Des Haras Z.i. Des Hautes Patures 92737 Nanterre Cedex (+33) 0 825 825 874 (+33) 1 46 13 05 00</p>	FRANCE	GERMANY	<p>CAME Gmbh Seefeld Akazienstrasse, 9 16356 Seefeld Bei Berlin (+49) 33 3988390 (+49) 33 39883985</p>
<p>CAME Automatismes S.a. 3, Rue Odette Jasse 13015 Marseille (+33) 4 95 06 33 70 (+33) 4 91 60 69 05</p>	FRANCE	U.A.E.	<p>CAME Gulf Fze Office No: S10122a2o210 P.O. Box 262853 Jebel Ali Free Zone - Dubai (+971) 4 8860046 (+971) 4 8860048</p>
<p>CAME Automatismos S.a. C/Juan De Mariana, N. 17-local 28045 Madrid (+34) 91 52 85 009 (+34) 91 46 85 442</p>	SPAIN	RUSSIA	<p>CAME Rus Umc Rus Lic Ul. Otradnaya D. 2b, Str. 2, office 219 127273, Moscow (+7) 495 739 00 69 (+7) 495 739 00 69 (ext. 226)</p>
<p>CAME United Kingdom Ltd. Unit 3 Orchard Business Park Town Street, Sandiacre Nottingham - Ng10 5bp (+44) 115 9210430 (+44) 115 9210431</p>	GREAT BRITAIN	PORTUGAL	<p>CAME Portugal Ucj Portugal Unipessoal Lda Rua Liebig, nº 23 2830-141 Barreiro (+351) 21 207 39 67 (+351) 21 207 39 65</p>
<p>CAME Group Benelux S.a. Zoning Ouest 7 7860 Lessines (+32) 68 333014 (+32) 68 338019</p>	BELGIUM	INDIA	<p>CAME India Automation Solutions Pvt. Ltd A - 10, Green Park 110016 - New Delhi (+91) 11 64640255/256 (+91) 2678 3510</p>
<p>CAME Americas Automation Llc 11345 NW 122nd St. Medley, FL 33178 (+1) 305 433 3307 (+1) 305 396 3331</p>	U.S.A	ASIA	<p>CAME Asia Pacific 60 Alexandra Terrace #09-09 Block C, The ComTech 118 502 Singapore (+65) 6275 8426 (+65) 6275 5451</p>
<p>CAME Gmbh Kornwestheimer Str. 37 70825 Kornal Munchingen Bei Stuttgart (+49) 71 5037830 (+49) 71 50378383</p>	GERMANY		

<p>CAME Cancelli Automatici S.p.a. Via Martiri Della Libertà, 15 31030 Dossio Di Casier (Tv) (+39) 0422 4940 (+39) 0422 4941 Informazioni Commerciali 800 848095</p>	ITALY	ITALY	<p>CAME Sud s.r.l. Via F. Imperato, 198 Centro Mercato 2, Lotto A/7 80146 Napoli (+39) 081 7524455 (+39) 081 7529190</p>
<p>CAME Service Italia S.r.l. Via Della Pace, 28 31030 Dossio Di Casier (Tv) (+39) 0422 383532 (+39) 0422 490044 Assistenza Tecnica 800 295830</p>	ITALY	ITALY	<p>CAME Global Utilities s.r.l. Via E. Fermi, 31 20060 Gessate (Mi) (+39) 02 95380366 (+39) 02 95380224</p>

