

PRODUCT SHEET

Removable ONE30^{EVO}

High-security

CAME URBACO

ONE30^{EVO} REMOVABLE

A single high-security ONE30^{EVO} removable bollard can withstand the impact of one truck travelling at 48km/h.

The ONE30^{EVO} high-security removable bollard is designed to protect strategic access points and sensitive sites from terrorist attacks.

Its removable bollard head system enables to open the access point occasionally. The removable system is an excellent solution to complete the closing of an access already equipped with one or several automatic bollards. (the access can be fully open, occasionally)

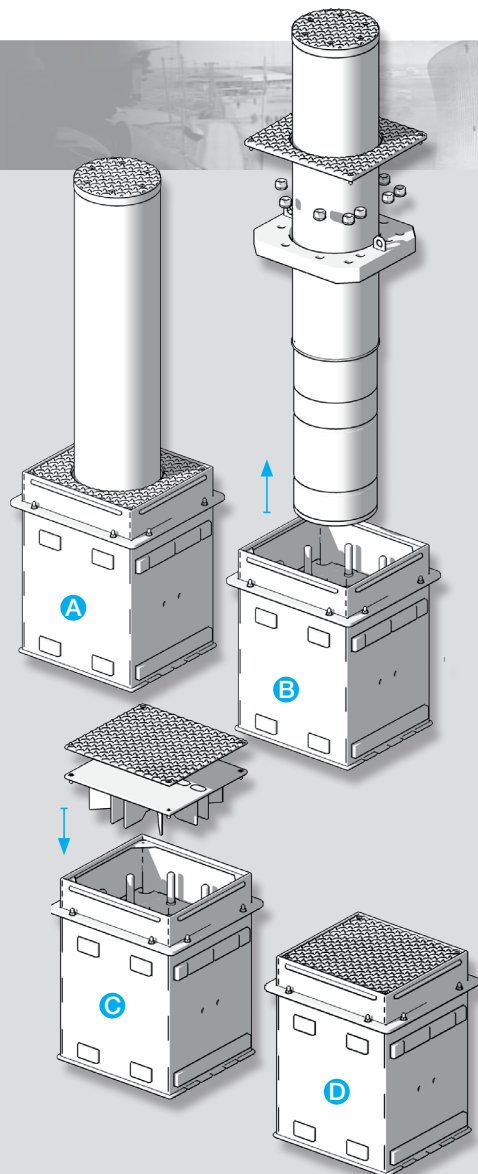
CHARACTERISTICS

Dimensions (mm) : Ø250 H1000 (above ground)

Material: high-strength steel

Treatment: hot-dip galvanising of the bollard

Total weight: 405 kg



The ONE30^{EVO} bollard structure is based on the retractable version, without the hydraulic system, which makes it as resistant as a retractable bollard.

- A** The bollard head is installed into a specific casing.
- B** To open the access, the bollard head shall be removed from the casing, using a boom truck (weight to lift: 210 kg), and moved to the storage location.
- C** A runway cover and an embossed closing plate are installed at the bollard head's place.
- D** Then, vehicles can run safely.



YOUTUBE.COM/URBACCHANNEL/



EQUIVALENT TO :

IWA 14-1:2013 Bollard V/7200[N2A]/48/90:0,0*
Impact energy : 681,2kJ



EQUIVALENT TO :

PAS68:2013 Bollard V/7500[N2]/48/90:0,0/0,0*
Impact energy : 681,2kJ

* Equivalence : DOS K4

PRODUCT SHEET

Removable **ONE30^{EVO}**

High-security

BOLLARD CLADDING

The ONE30^{EVO} bollard is equipped with an innovative interchangeable sleeve system that allows you to customise the appearance of the access points and repair damaged heads in under 5 minutes.



PAINTED SLEEVE

Material: steel
Treatment: zinc-based primer as standard reinforcing corrosion-resistance
RAL paint: Matt finish thermosetting polyester powder top coat (RAL3020 standard)



STAINLESS STEEL SLEEVE

Material: 316L Stainless Steel
Treatment: polish and satin-finished



CUSTOMIZED SLEEVE

Material: steel (stainless on request)
Treatment : zinc-based primer as standard reinforcing corrosion-resistance
Customization : customization with a logo, text, texture, advertising, or image.
Finishing : anti-abrasion protection system



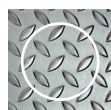
EMBOSSED FINISHING PLATE

Material: steel
Treatment: zinc-based primer as standard reinforcing corrosion-resistance



EMBOSSED CLOSING PLATE

Material: steel
Treatment: zinc-based primer as standard reinforcing corrosion-resistance



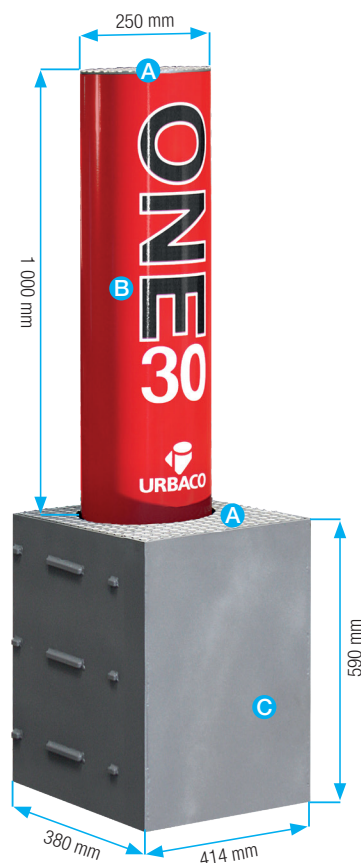
EMBOSSED FINISHING PLATE

Material: 316L or 304L Stainless Steel



EMBOSSED CLOSING PLATE

Material: 316L or 304L Stainless Steel



OPTIONS

- Reflective tape
- Illuminated ring
- Other RAL colours

A Embossed finishing plate

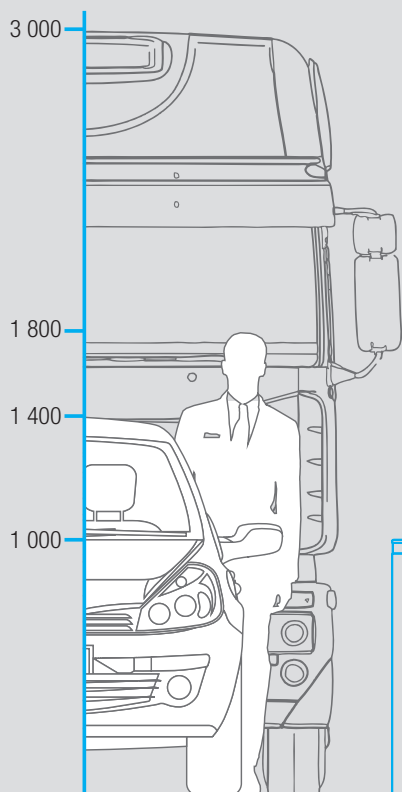
B Covered bollard head

C Casing

FOUNDATION (FOR 1 BOLLARD):

Foundation depth of about 750 mm. Volume of concrete approximately 1,42 m³.

Height in mm



ISO EN 124 - Class F900 (up to 90 tonnes) approved - Installation in areas subject to very high wheel loads such as airport pavements.

Compliant with French decree PMR - Dimensions compliant with the decree of 18 September 2012 concerning the technical requirements for the accessibility of roads and public spaces for people with reduced mobility..